

HDP 196 High pressure, high flow pump



Compact design

- Optimum space utilisation
- Light weight
- Integral reduction gear

Adaptability provides installation options

- Reversible pump head
- Central or side suction connection
- Discharge connections on both sides
- Can operate at higher inclinations

Drive end

- Hammelmann standard industrial drive end specifically designed for continuous duty
- Pressurised oil lubrication system
- High quality spheroidal cast iron housing
- Clockwise or anticlockwise rotation

Water end: suitable for recycled water

Less wear due to :-

- High grade solid ceramic plungers
- Wear resistant valve seats
- Low flow velocity over suction and discharge valves
- Packing seal sets within rust resistant stainless steel sleeves
- Slow plunger speed

Easy servicing

- Reversible valve seats
- Suction and discharge valves use identical components
- Maintenance possible without removal of suction and pressure lines
- All service access from front/above
- Fixed valve housing accessible via light weight cover plates

Environmentally friendly

- Quiet drive end due to twin helical gears
- Piston rods hermetically sealed by the NBR bellows, no oil leakage

Technical data HDP 196

- Rod force: 90 kN
- Stroke: 75 mm
- Mean piston speed at n_2
460 1/min = 1,15 m/sec
550 1/min = 1,37 m/sec

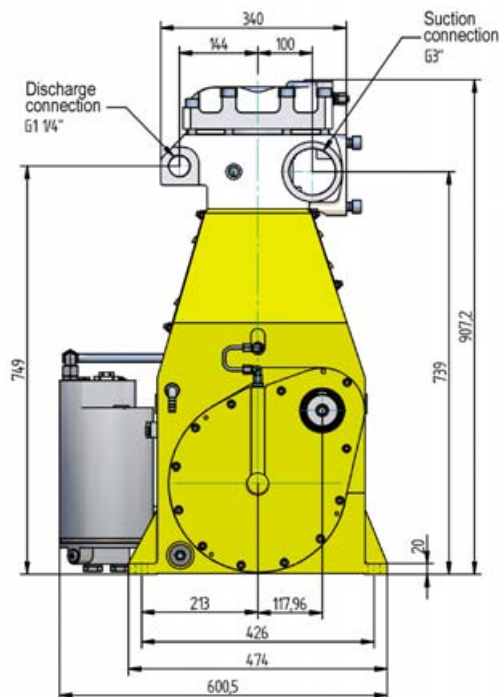
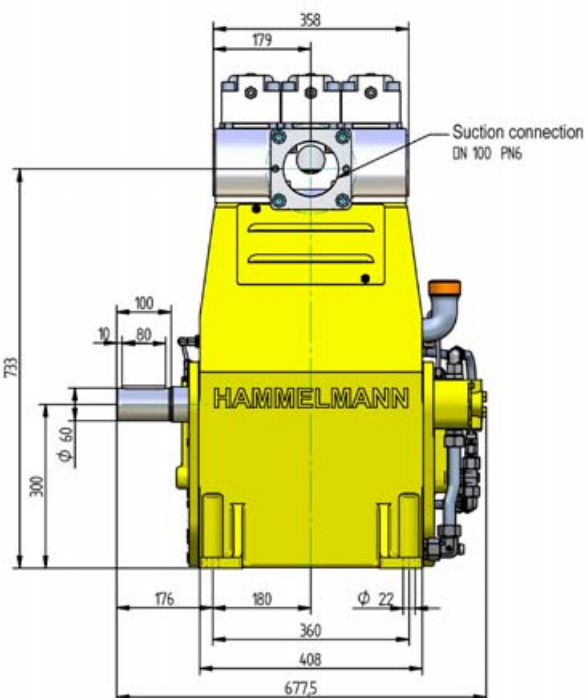
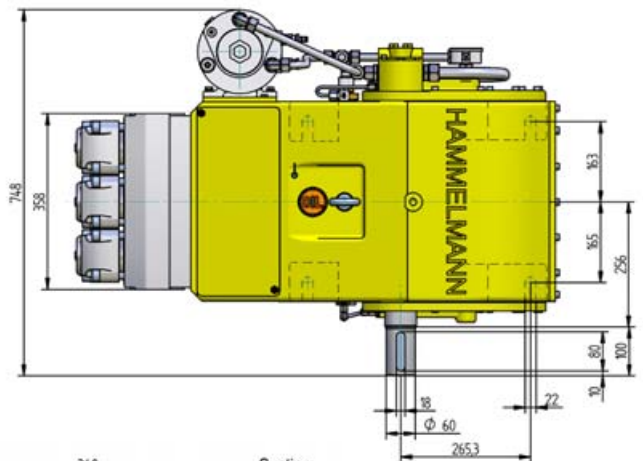
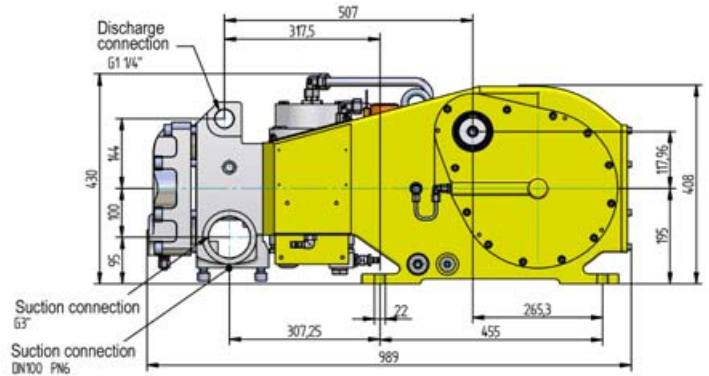
[l/min]	Pressure [bar]	Power required [kW]	Piston \varnothing	n_1 [r.p.m.]	n_2 [r.p.m.]
386	210	150	70	1500/1800	460
460	210	180	70	1800/2150	550
440	185	150	75	1500/1800	460
530	185	180	75	1800/2150	550
505	160	150	80	1500/1800	460
605	160	180	80	1800/2150	550

Technical details

Design	Horizontal, vertical, 3 cylinder
Plungers	Solid ceramic
Plunger sealing	Triple packing rings
Crank section sealing	Bellows
Valves	With ancillary sealing for recycled water
Valves, special feature	Reversible
Crank section lubrication	Pressurised circulating
Crankshaft bearings	2 x roller
Drive shaft	Right

Installation data

Weight incl. lub. oil	525 kg
Mounting hole pattern	360 x 426
Drive shaft	60 mm dia. x 94 mm
Shaft key	DIN 6885 – A
Permissible lateral force	16 kN
Discharge connection	1 1/4" female
Suction connection	100 mm i/d, PN6 DIN 2631, 2 x 3 "



Horizontal design



Vertical design

03/07 © Copyright Hammelmann Maschinenfabrik GmbH, Oelde, Germany. Subject to modification.

Hammelmann
Maschinenfabrik GmbH

Postfach 3309 • D-59282 Oelde
Zum Sundern 13-21 • Germany
eMail: mail@hammelmann.de • Internet: www.hammelmann.de

Telefon +49 25 22 76-0
Telefax +49 25 22 76-444

HAMMELMANN®